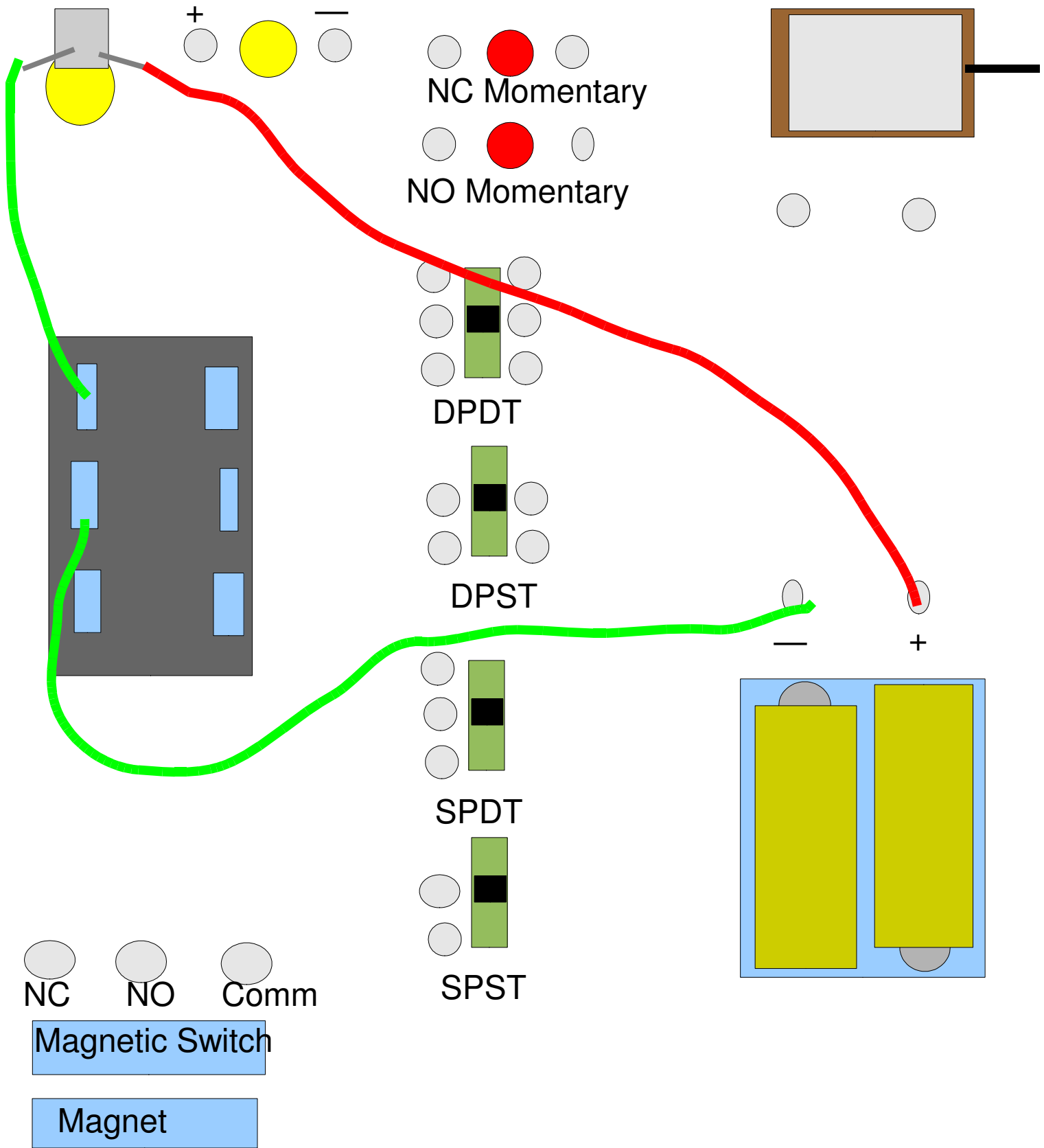
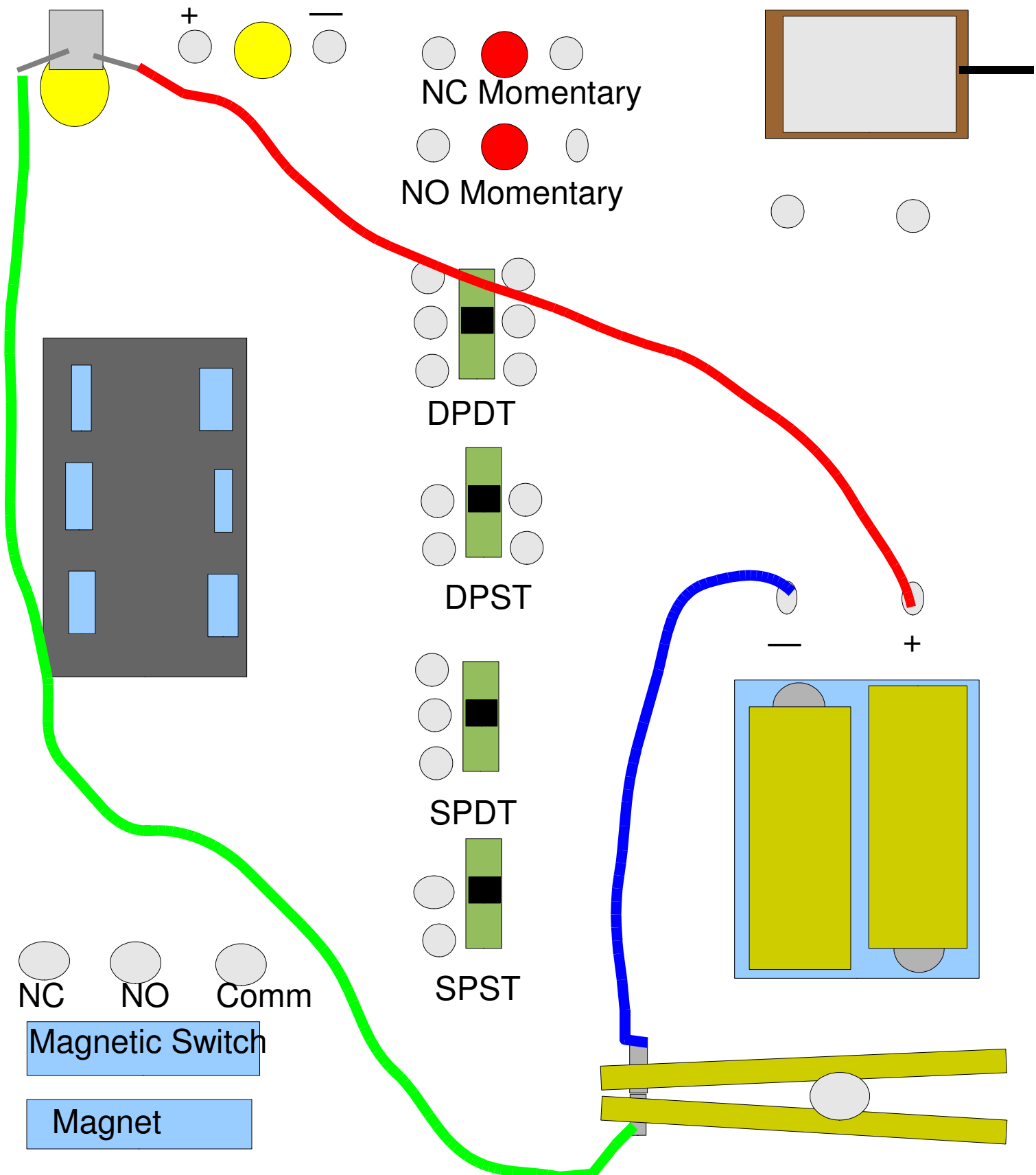


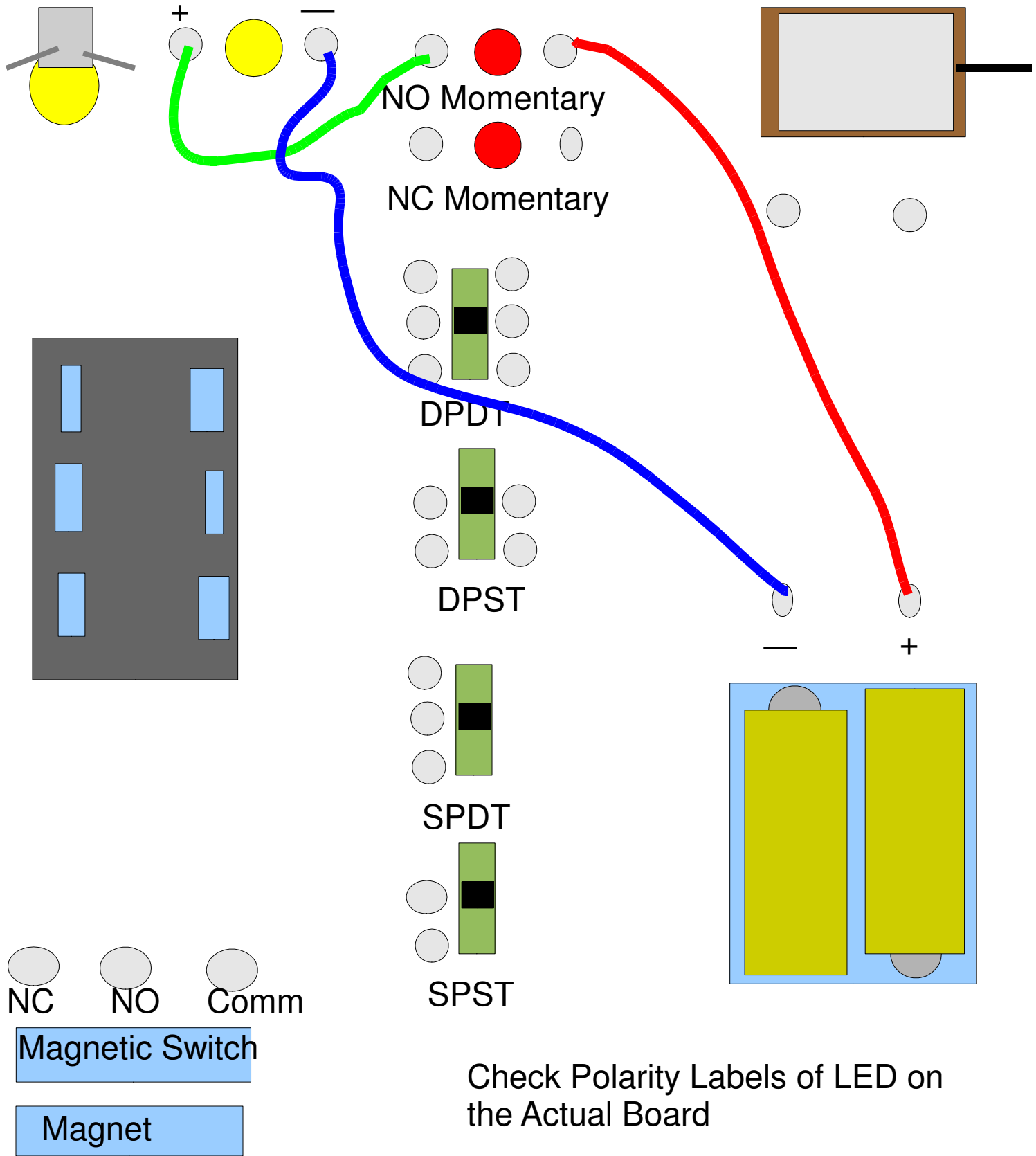
Switch Board Work Sheets



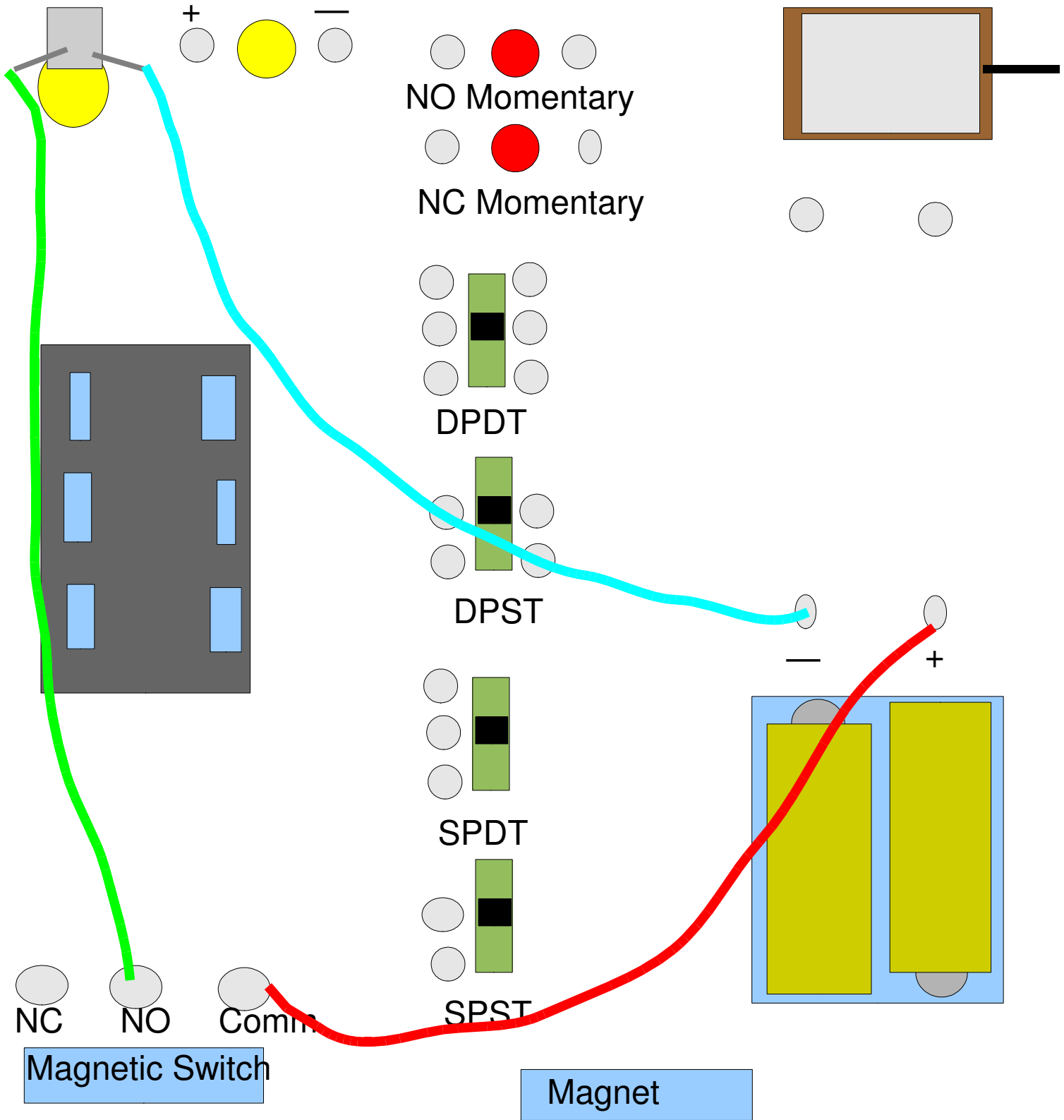
Incandescent Light using Knife Switch
Switching only 1 side of circuit



Incandescent Light using Clothes Pin Switch

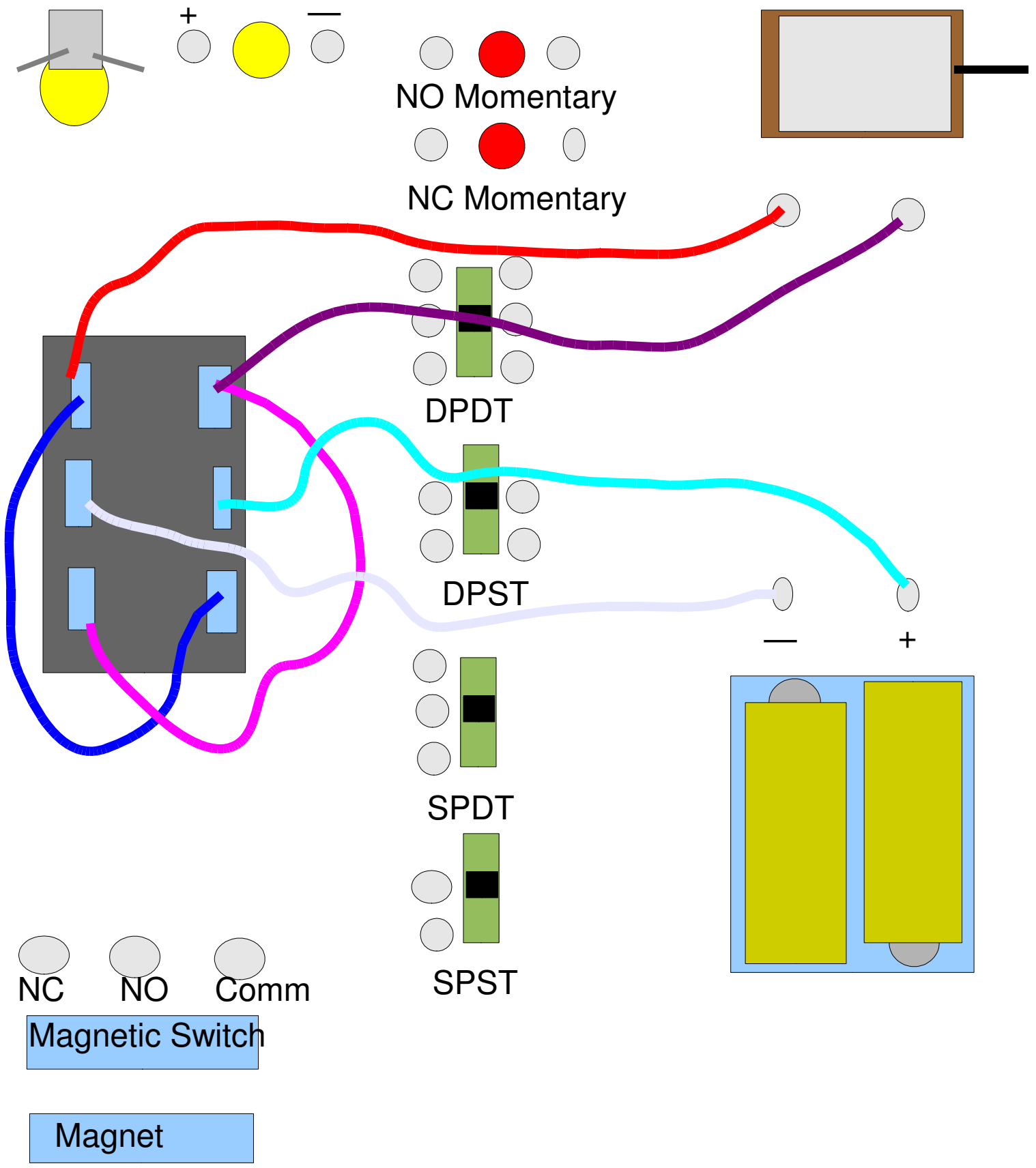


LED Light using Momentary NO Switch



Once you have it wired put the magnet by the switch

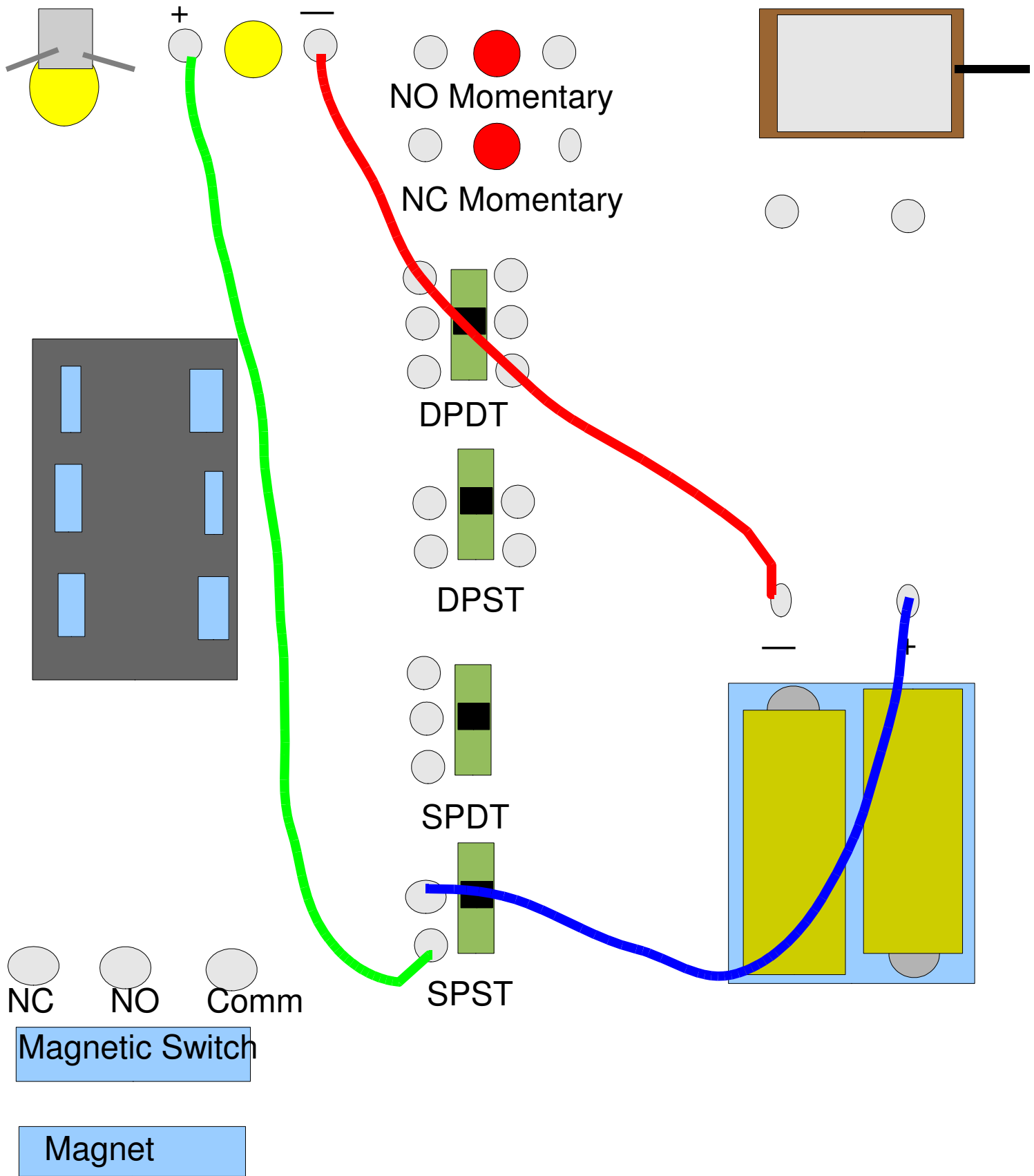
Incandescent Light and Magnetic Switch
Normally Open Contact



Using a DPDT Switch to reverse the direction a motor turns

Test Yourself – then look up the answers

- T61 Use the SPST switch to turn on the LED Light
- T62 Wire up the motor so that it runs until the magnet is put near the magnetic switch
- T63 Wire up the LED light so that it lights up when the magnet is put near the magnetic switch
- T64 Wire up the motor so you can reverse the direction the motor turns using the DPDT switch AND turn it on and off using the SPST switch.
- T65 Use the SPDT switch to wire the Incandescent Light and the LED light so that you can turn on either the Incandescent Light or the LED Light. One will stay burning all the time.



T61 – Using SPST to turn on LED Light

